

Models 2002 and 2102

High-Capacity Fan-Powered Flow-Thru Humidifiers Great Choices for Warm-Air Heating Systems



Installation Package includes mounting template/installation instructions, humidistat (right), self-piercing saddle valve and homeowner's manual.

Moisture Output Capacity

Warm Air Duct Temperature °F	Pounds per Hour	Gallons per Day
120°	6.61	19.0
110°	6.05	17.4
100°	5.49	15.8

Size Specifications

- Dimensions.....(See photo, right)
- Plenum Opening..... 16-5/8" high x 13-1/8" wide
- Fan Motor..... 115 VAC, .7 Amps
- Solenoid..... 24 VAC
- Water Supply Tubing..... 1/4" OD Copper (not supplied)
- Water Drain Tubing..... 1/2" ID (not supplied)
- Evaporator Pad..... 16-5/8" high x 9-7/8" wide x 1-9/16" thick
(Evaporator Pad Replacement No. A04-1725-051)

U.S. Patent Nos. 5,851,444 and 5,932,148



Model 2002 includes a standard Manual Humidistat.

Model 2102 includes a *Compustat* Automatic Humidifier Control.

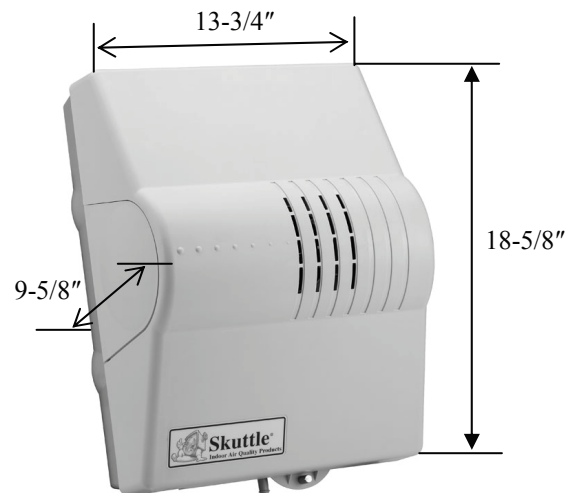


Compustat is an electronic compensating humidistat which automatically adjusts the humidifier output to compensate for changes in outdoor temperature. It helps prevent over-humidification in the event of a sudden outside temperature drop.

NOTE: Ratings and calculations are in compliance with ARI Formula 610:

- Ceiling Height..... 8 feet
- Bonnet Temperature..... 120°F
- Return Air..... 75°F, 30% RH
- Total Static Pressure..... 0.20 inches

Important: When installing Model 2002 or 2102 on a system with a multi-speed blower motor or operating voltage other than 120 volts AC, it is strongly recommended that the unit be wired with a Skuttle A50 Relay (page 26) to prevent transformer failure.



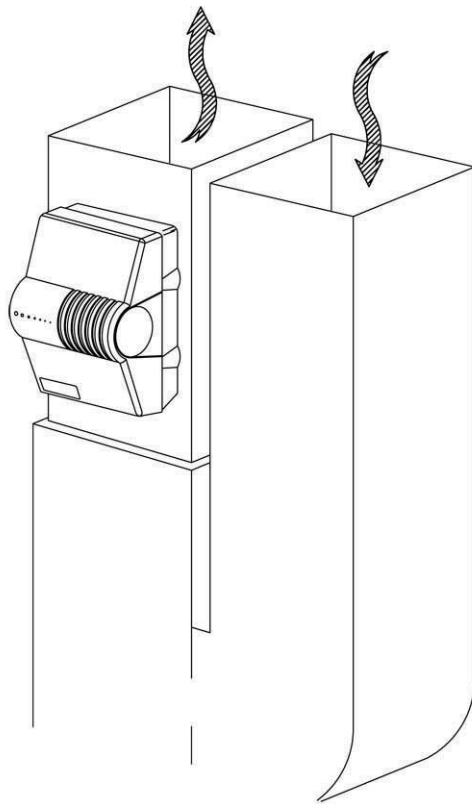
Skuttle Indoor Air Quality Products • *A World of Whole-House Solutions for Today's IAQ Challenges*SM

Phone: 888-SKUTTLE (758-8853) • Email: techservice@skuttle.com • Web: www.goskuttle.com

2002/2102 Features & Benefits

- **Problem-solving application**—ideal for installations where the return air plenum is not easily accessible
- **Compact width** fits plenums as narrow as 14"
- **Low profile** makes unit ideal where space is limited
- **Superior, patented wicking and water distribution system** accommodates non-level plenums
- **Frameless evaporator pad** avoids breakage common to brands with plastic frames
- **Internal solenoid** resists damage from bumping
- **Stainless steel orifice** won't break; cleans easily
- **Thermoplastic cabinet** resists rust, corrosion and warpage
- **Barbed drain fitting** prevents hose from slipping
- **Energy efficient technology** uses minimal water and electricity
- **Output capacity** of 19 gallons per day at 120°F

Typical Installation



Up-Flow

Home/Humidifier Sizing Chart

Maximum Home Size	Tight House	Average House	Loose House
Total Sq. Ft.	4,524	2,879	2,065
Total Cu. Ft.	36,190	23,030	16,522

Tight House = Insulated walls and ceilings; vapor barriers; weather stripping on doors and windows; snug doors, windows and fireplace damper. One-half air change per hour.

Average House = Insulated walls and ceilings; vapor barriers; loose doors, windows and fireplace damper. One air change per hour.

Loose House = No insulation, storm doors, storm windows, weather stripping or vapor barriers. Two air changes per hour.

NOTE: Due to Skuttle's continuing research, design specifications and components are subject to change without notice.